

Φ100 LED Signal Light



Option:
Standard
Mounting Bracket
SZ-007



Option:
High-vibration
Resistant Mounting
Bracket SZ-170

New LED strobe-flashing beacon! Available in five LED Colors!

Features: LFH

- Available in 12VDC, 24VDC, 48VDC and 90-250VAC
- 5 Dome Colors of Red, Yellow, Green, Blue and Clear/White
- Triple Flash (110 fpm ±10%)
- Indoor/Outdoor Use
- IP66 (IEC60529)
- Vibration Resistance of 9G (90m/s²)
- RoHS Directive
- CAN/ULC-S526-M87
- CE Marking (Excluding 48VDC Model)
- UL 1638 Compliance
- FCC Part 15 Subpart B Class A (Excluding 48VDC Model)
- ECE-compliant (Required for Auto and Traffic Equipment)
- Dimming function for night-time and short-distance applications (DC type Only)

Specifications: LFH

Model	LFH-12	LFH-24	LFH-48	LFH-M2
Rated Voltage	12V DC	24V DC	48V DC	90-250V AC
Current Consumption (max)	0.50A	0.23A	0.18A	0.12A
Operating Ambient Temperature Range	-30°C to +70°C		-20°C to +60°C	
Protection Rating	IP66			
Mounting Location	Indoor or Outdoor Use			
Flash Rate	110 ±10fpm (Triple-flash)			
Certifications	UL, CE ^{*1} , RoHS, FCC, ECE			
Mass	0.57kg		0.61kg	

*1 LFH-48 not CE certified.

Features: LFK

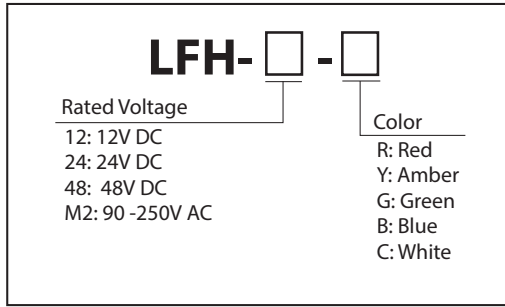
- Available in 12VDC, 24VDC, and 48VDC
- 5 Dome Colors of Red, Yellow, Green, Blue and Clear/White
- Triple Flash (140 fpm ±10%)
- Indoor/Outdoor Use
- IP55 (IEC60529)
- Vibration Resistance of 7G (70m/s²)
- RoHS Directive
- ECE-compliant (Required for Auto and Traffic Equipment)
- Dimming function for night-time and short-distance applications
- CE Marking (Excluding 48VDC Model)

Specifications: LFK

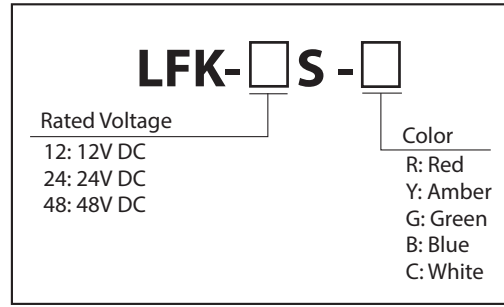
Model	LFK-12S	LFK-24S	LFK-48S
Rated Voltage	12V DC	24V DC	48V DC
Current Consumption (max)	0.49A	0.19A	0.17A
Operating Ambient Temperature Range	-20°C to +60°C		
Protection Rating	IP55		
Mounting Location	Indoor or Outdoor Use		
Flash Rate	140 ±14fpm (Triple-flash)		
Certifications	CE ^{*1} , RoHS, ECE		
Mass	0.5kg		

*1 LFH-48 not CE certified.

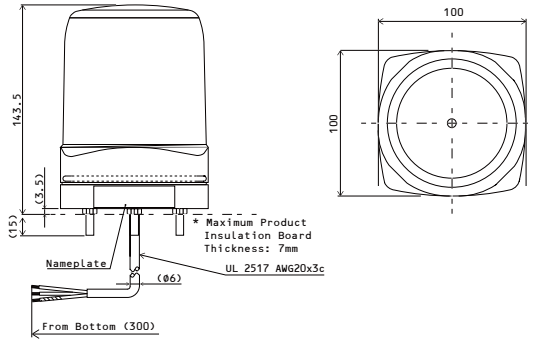
How to Order LFH



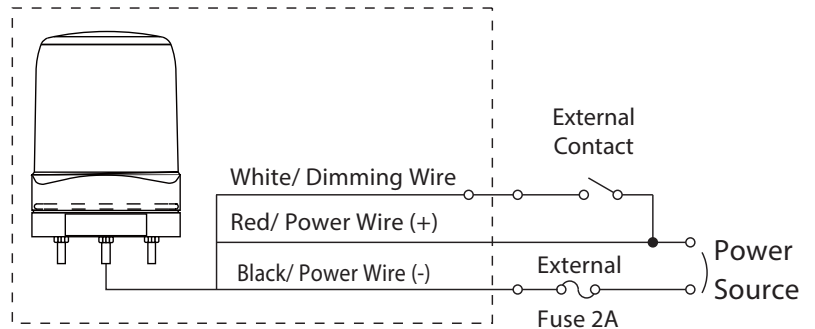
How to Order LFK



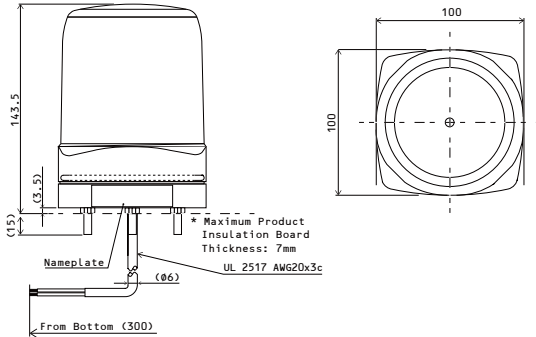
LFH/LFK Dimensions



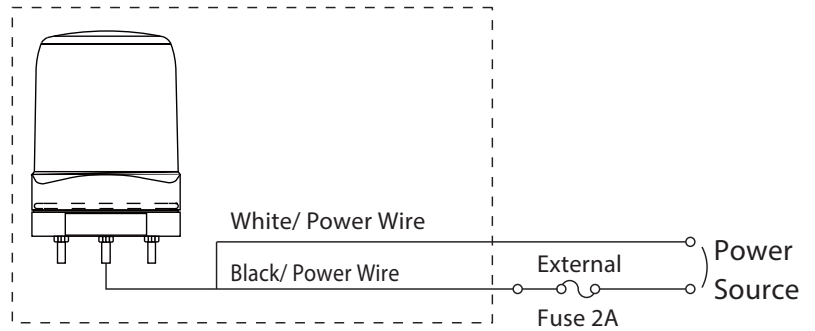
LFH/LFK Wiring



LFH-M2 Dimensions



LFH-M2 Wiring



Search for Search at <http://www.patlite.com>

PATLITE Corporation

E-mail: overseas@patlite.co.jp

8-8, Matsuyamachi, Chuo-ku, Osaka, Japan 542-0067
International Division, Sales and Marketing Department
TEL: +81-6-6763-8220 FAX: +81-6-6763-8221

PATLITE (U.S.A.) Corporation

E-mail: sales@patlite.com

20130 S. Western Ave. Torrance, CA90501, U.S.A.
TEL: +1-310-328-3222 FAX: +1-310-328-2676

PATLITE (SINGAPORE) PTE LTD

E-mail: sales@patlite.com.sg

No.2 Leng Kee Road, #05-01 Thye Hong Centre, Singapore 159086
TEL: +65-6226-1111 FAX: +65-6324-1411

PATLITE (CHINA) Corporation

E-mail: sales@patlite.cn

Room 512, Jufeng Business Building, No.697-3 Lingshi Road, Shanghai China 200072
TEL: +86-21-6630-8969 FAX: +86-21-6630-8938

PATLITE Europe GmbH

E-mail: info@patlite.eu

Am Soeldnermoos 8, D-85399 Hallbergmoos, Germany
TEL:+49-811 9981 9770-0 FAX:+49-811 9981 9770-9

PATLITE KOREA CO., LTD.

E-mail: sales@patlite.co.kr

A-2603, Daesung D-POLIS, 543-1 Gasan-dong, Geumcheon-gu, Seoul, 153-803
TEL:+82-2-523-6636 FAX:+82-2-861-9919

PATLITE Japan Representative Office in Taiwan

7F. No. 91, Huayin St, Datong District Taipei, Taiwan R.O.C
TEL:+886-2-2555-1611 FAX:+886-2-2555-1621

P.T. PATLITE INDONESIA (FACTORY)

LOT 321 Batamindo Industrial Park, Jalan Beringin Mukakuning, Batam 29433 Indonesia
TEL: +62-770-61-1123 FAX: +62-770-61-2444



To ensure correct use of these products, read the Instruction Manual prior to use. Failure to follow all safeguards can result in fire, electric shock, or other accidents. Specifications are subject to change without notice.



ISO9001:2008 Certified
ISO14001:2004 Certified
Headquarters / Sanda Plant



PATLITE ECO PROJECT

For the benefit of mankind and the earth, PATLITE is committed to developing environmentally friendly products.

CATALOG NO.	1280B	1305 PLUS_Itr
-------------	-------	---------------